

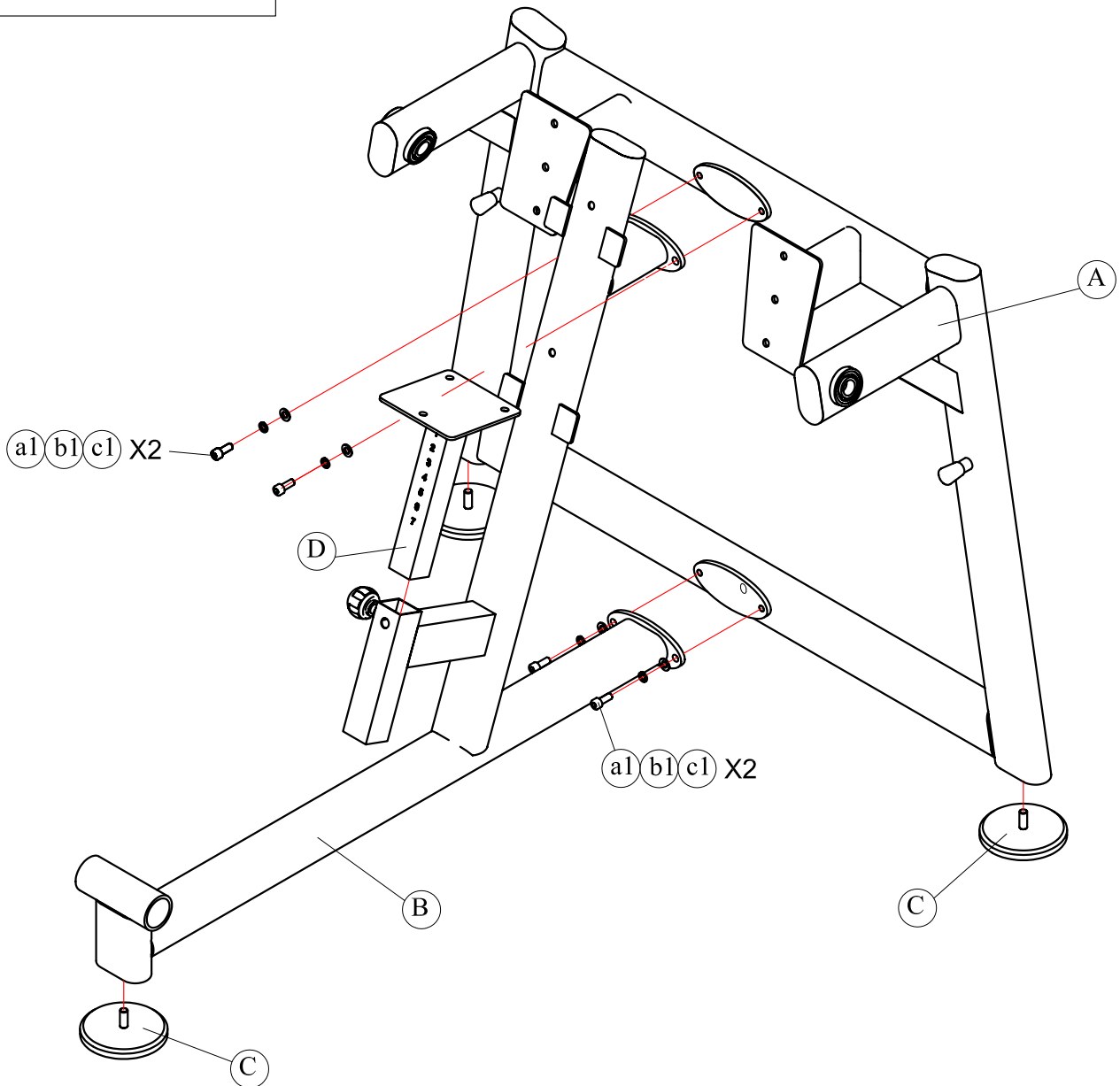
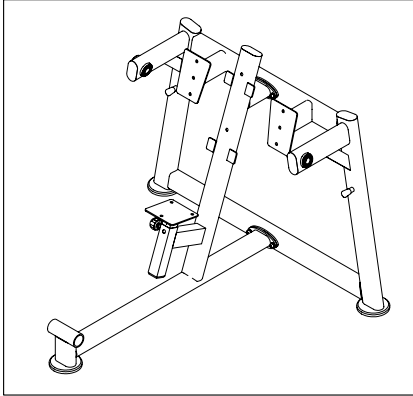
# STEP 1

NOTE: During each assembly step, ensure that all bolts and nuts are in place and partially threaded in before completely any one bolt.

Above shows step 1 assembled and completed

Part list of step 1

ITEM	DESCRIPTION	QTY
A	ASSY,BACK FRAME	1
B	ASSY,MAIN FRAME	1
C	ROUND FOOTPAD(Ø135)	3
D	CUSHION FRAME	1
a1	BOLT,SHCS,M10× 25	4
b1	WASHER,LOCK,M10	4
c1	WASHER,FLAT,M10	4



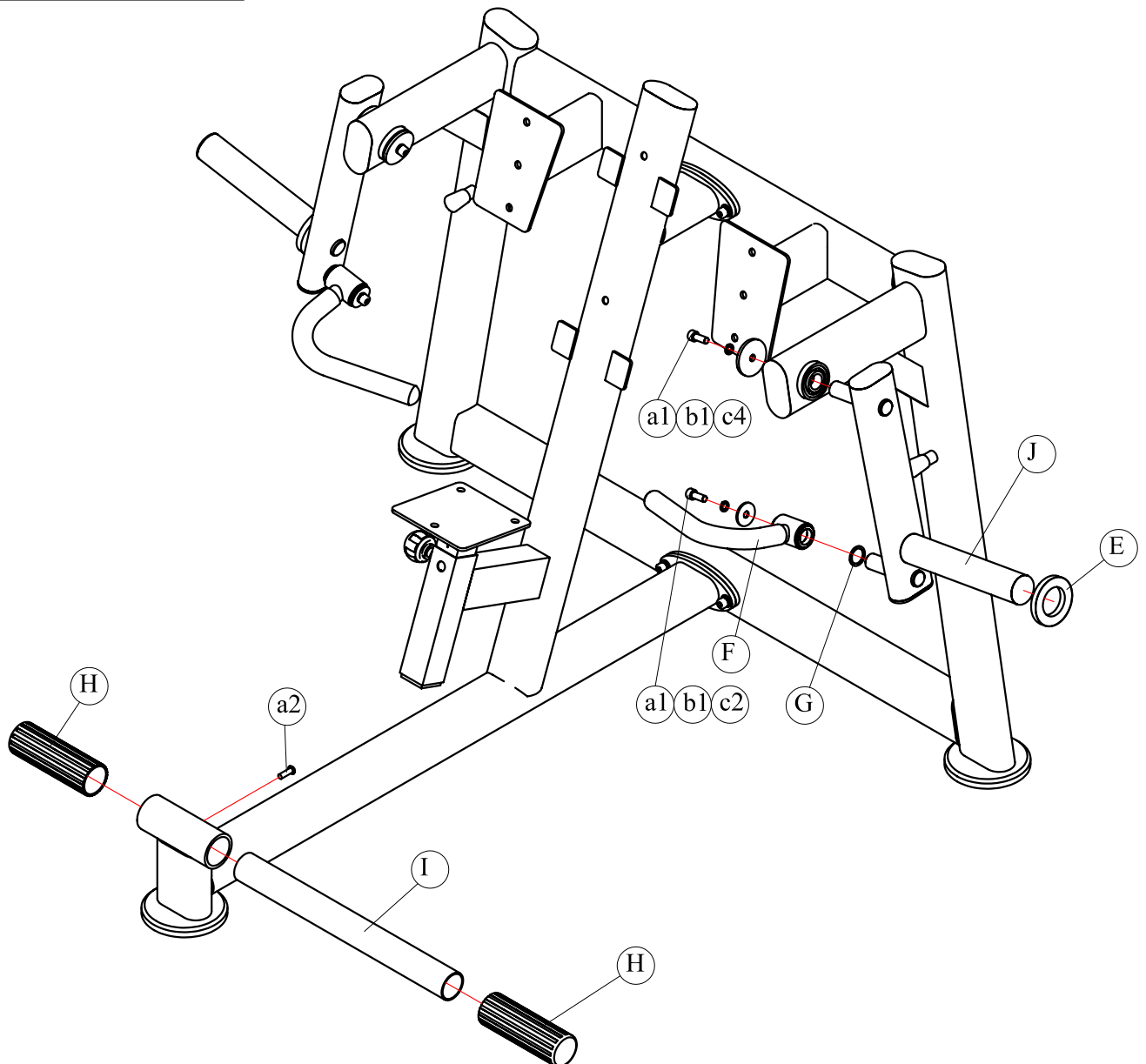
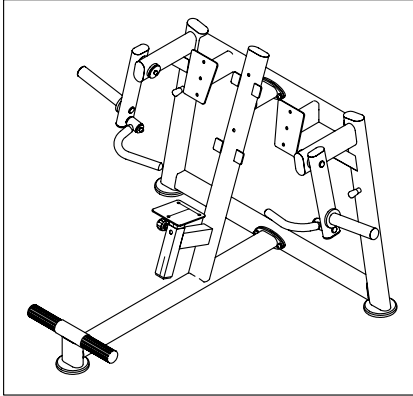
# STEP 2

NOTE: During each assembly step, ensure that all bolts and nuts are in place and partially threaded in before completely any one bolt.

Above shows step 1 assembled and completed

Part list of step 1

ITEM	DESCRIPTION	QTY
E	RUBBER WASHER 49 ID X80 OD X 10TK	2
F	ASSY,HANDLE	2
G	WHITE WASHER(Ø32)	2
H	RUBBER FOOT TUBE COVER	1
I	FOOT TUBE	1
J	ASSY,ARM	2
a1	BOLT,SHCS,M10× 25	4
a2	BOLT,BHCS,M8× 20	1
b1	WASHER,LOCK,M10	4
c2	WASHER(Ø38*Ø11*3t)	2
c4	WASHER(Ø60*Ø11*3t)	2



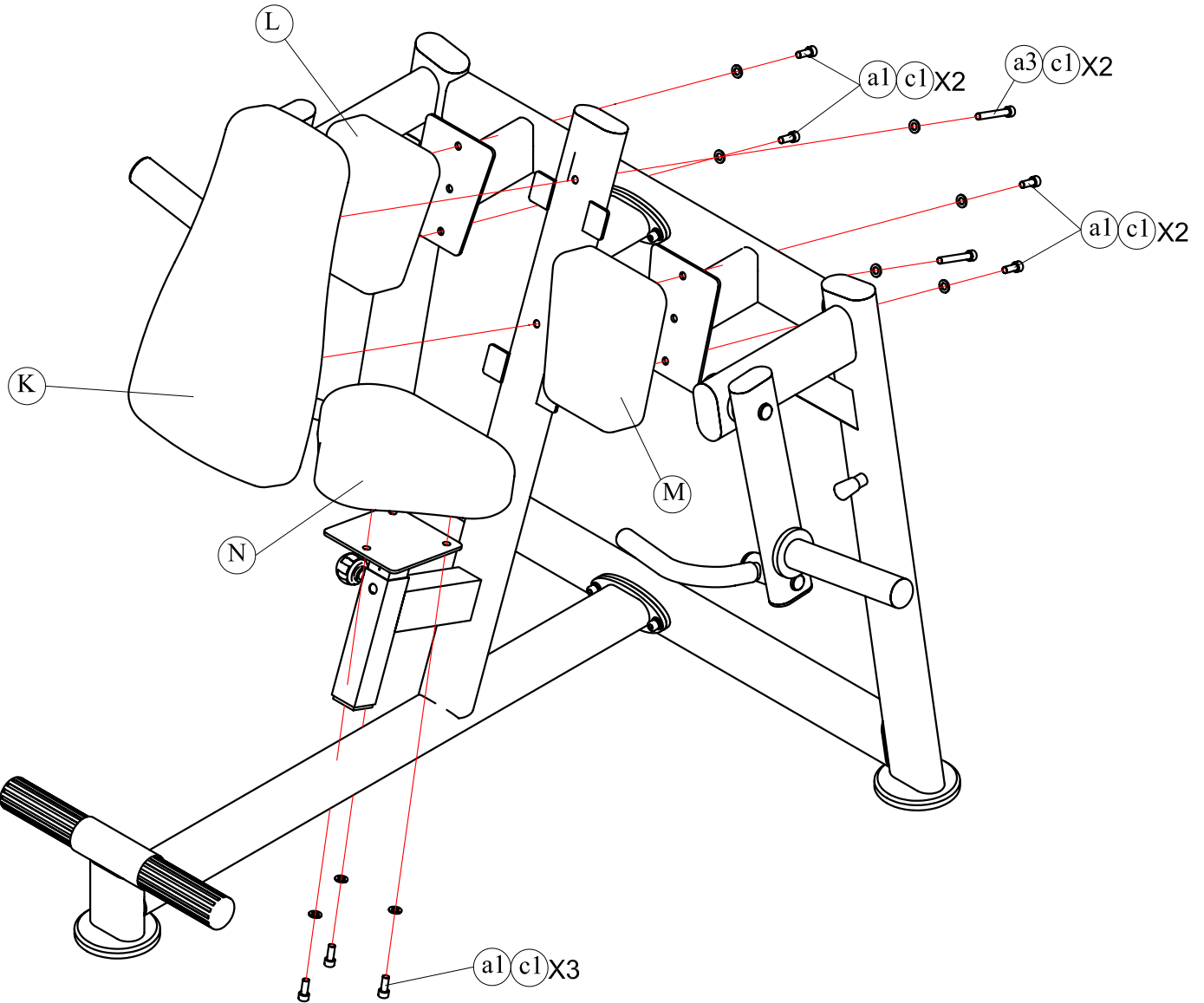
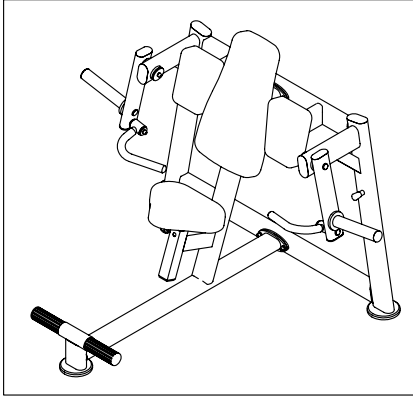
# STEP 3

NOTE: During each assembly step, ensure that all bolts and nuts are in place and partially threaded in before completely any one bolt.

Above shows step 1 assembled and completed

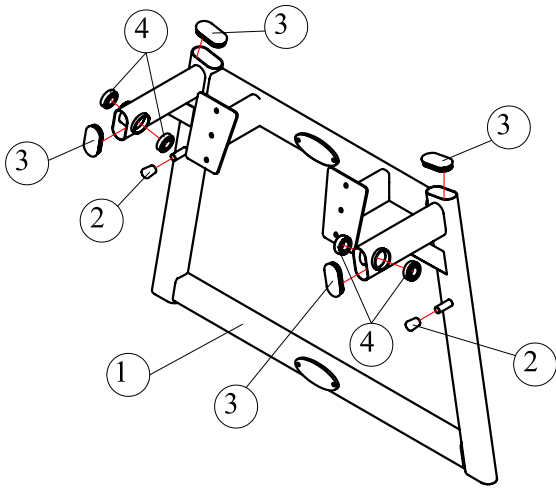
Part list of step 1

ITEM	DESCRIPTION	QTY
K	BACK PAD	1
L	LEFT ELBOW PAD	1
M	RIGHT ELBOW PAD	1
N	SEAT PAD	1
a1	BOLT,SHCS,M10×25	7
a3	BOLT,SHCS,M10×70	2
c1	WASHER,FLAT,M10	9

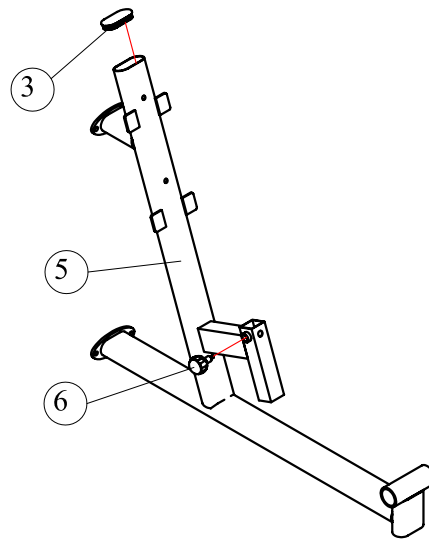


# PRE-ASSEMBLY

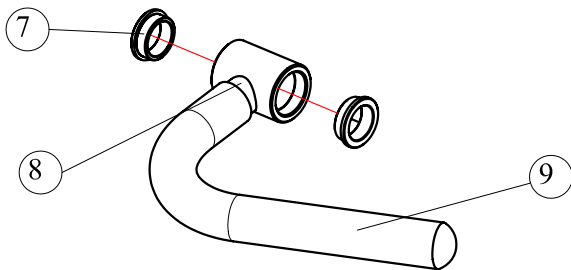
A. ASSY, BACK FRAME



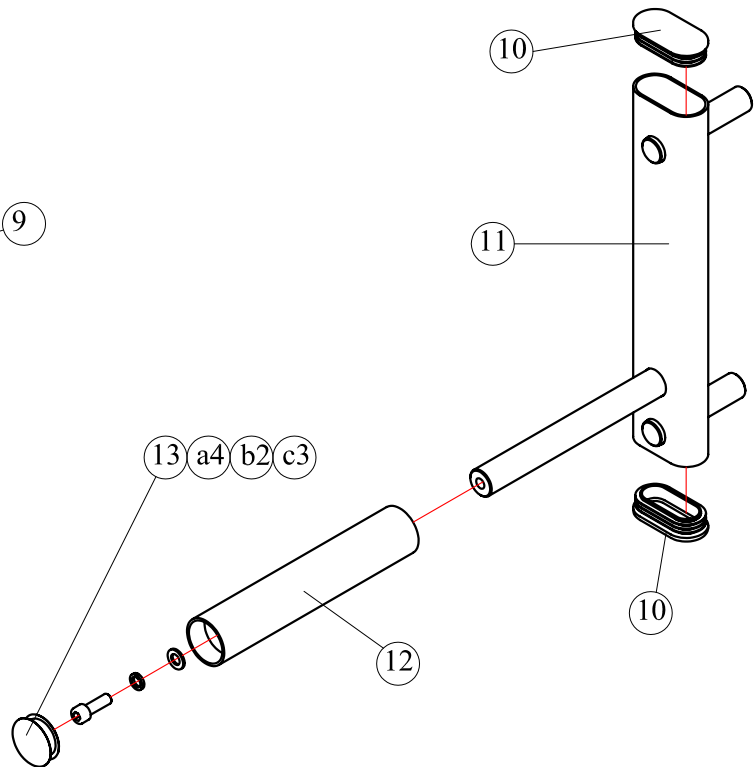
B. ASSY, HEAD FRAME



F. ASSY, HANDLE



J. ASSY, ARM



# PRE-ASSEMBLY

---

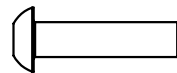
## PART LIST

ITEM	DESCRIPTION	QTY
1	BACK FRAME	1
2	CONICAL STOPPER	2
3	PLASTIC INSERT CAP(100x50,OVAL)	5
4	BEARING(6205,CONVEX INNER RING)	4
5	MAIN FRAME	1
6	TURN/PULL PIN W/KNOB AND LOCK	1
7	POWDER METALLURGY BUSHING 1 IDx1 1/4 OD	4
8	HANDLE	2
9	HAND GRIP(Ø26X320L)	2
10	PLASTIC INSERT CAP(80x40,OVAL)	4
11	ARM	2
12	WEIGHT TUBE(Ø48)	2
13	PLASTIC INSERT CAP(Ø48)	2
C	ROUND FOOTPAD(Ø135)	3
D	CUSHION FRAME	1
E	RUBBER WASHER 49 ID X80 OD X 10TK	2
G	WHITE WASHER(Ø32)	2
H	RUBBER FOOT TUBE COVER	1
I	FOOT TUBE	1
K	BACK PAD	1
L	LEFT ELBOW PAD	1
M	RIGHT ELBOW PAD	1
N	SEAT PAD	1

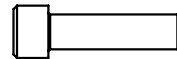
## HARDWARE LIST

ITEM	DESCRIPTION	QTY
a1	BOLT,SHCS,M10× 25	15
a2	BOLT,BHCS,M8× 20	1
a3	BOLT,SHCS,M10× 70	2
a4	BOLT,SHCS,M12× 30	2
b1	WASHER, LOCK,M10	8
b2	WASHER, LOCK,M12	2
c1	WASHER, FLAT,M10	13
c2	WASHER(Ø38*Ø11*3t)	2
c3	WASHER, FLAT,M12	2
c4	WASHER(Ø60*Ø11*3t)	2

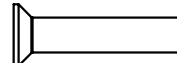
### Hardware guide:



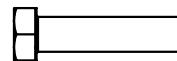
BHCS-BUTTON HEAD CAP SCREW



SHCS-SOCKET HEAD CAP SCREW



FHCS-FLAT HEAD CAP SCREW



HHCS-HEX HEAD CAP SCREW

# DECAL PLACEMENT

---

