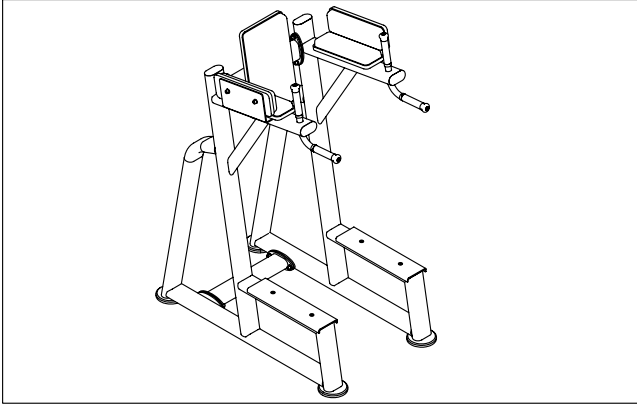
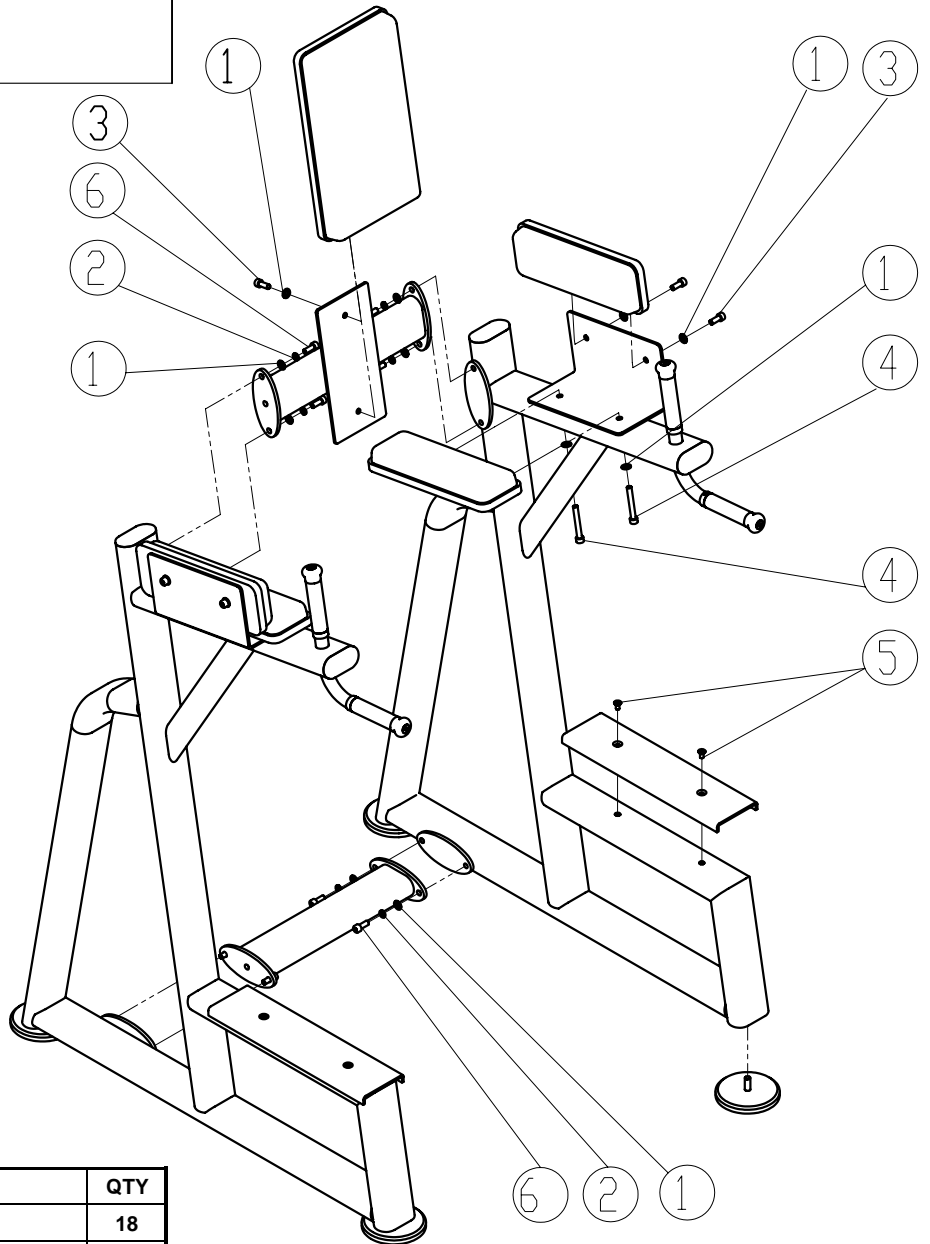


# PT6677B

NOTE: During each assembly step, ensure that all bolts and nuts are in place and partially threaded in before completely any one bolt.



Above shows machine assembled and completed



ITEM	DESCRIPTION	QTY
1	FASTENER_WASHER_SMWC 10	18
2	FASTENER_WASHER_SW 10	8
3	FASTENER_SCREWS_HSHCS M10X25-N	6
4	FASTENER_SCREWS_HSHCS M10X75-N	4
5	FASTENER_SCREWS_HSCHS M8X16-N	4
6	FASTENER_SCREWS_HSCHS M10X30-N	8