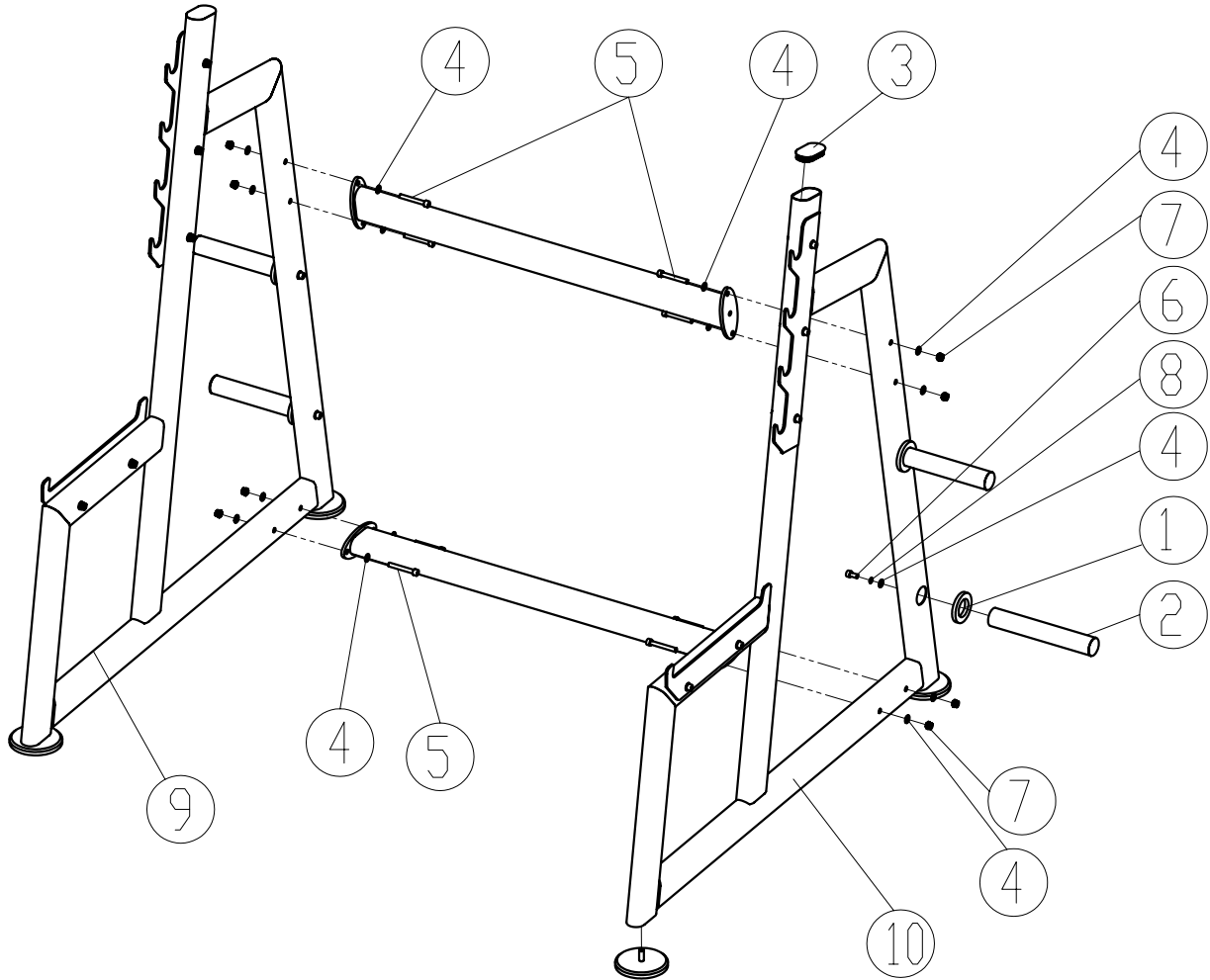


PT6675 SQUAT RACK

NOTE: During each assembly step, ensure that all bolts and nuts are in place and partially threaded in before completely any one bolt.



ITEM	DESCRIPTION	QTY
1	RUBBER WASHER 2"ID×30D"×3/8"TK	4
2	WEIGHT STORAGE BAR	4
3	PLASTIC INSERT CAP(100×50,OVAL)	2
4	WASHER, FLAT , M10	40
5	BOLT, SHCS,M10×75	4
6	BOLT, SHCS,M10×20	4
7	LOCK NUT, M10	18
8	WASHER, LOCK , M10	4
9	ASSY, LEFT FRAME	1
10	ASSY, RIGHT FRAME	1