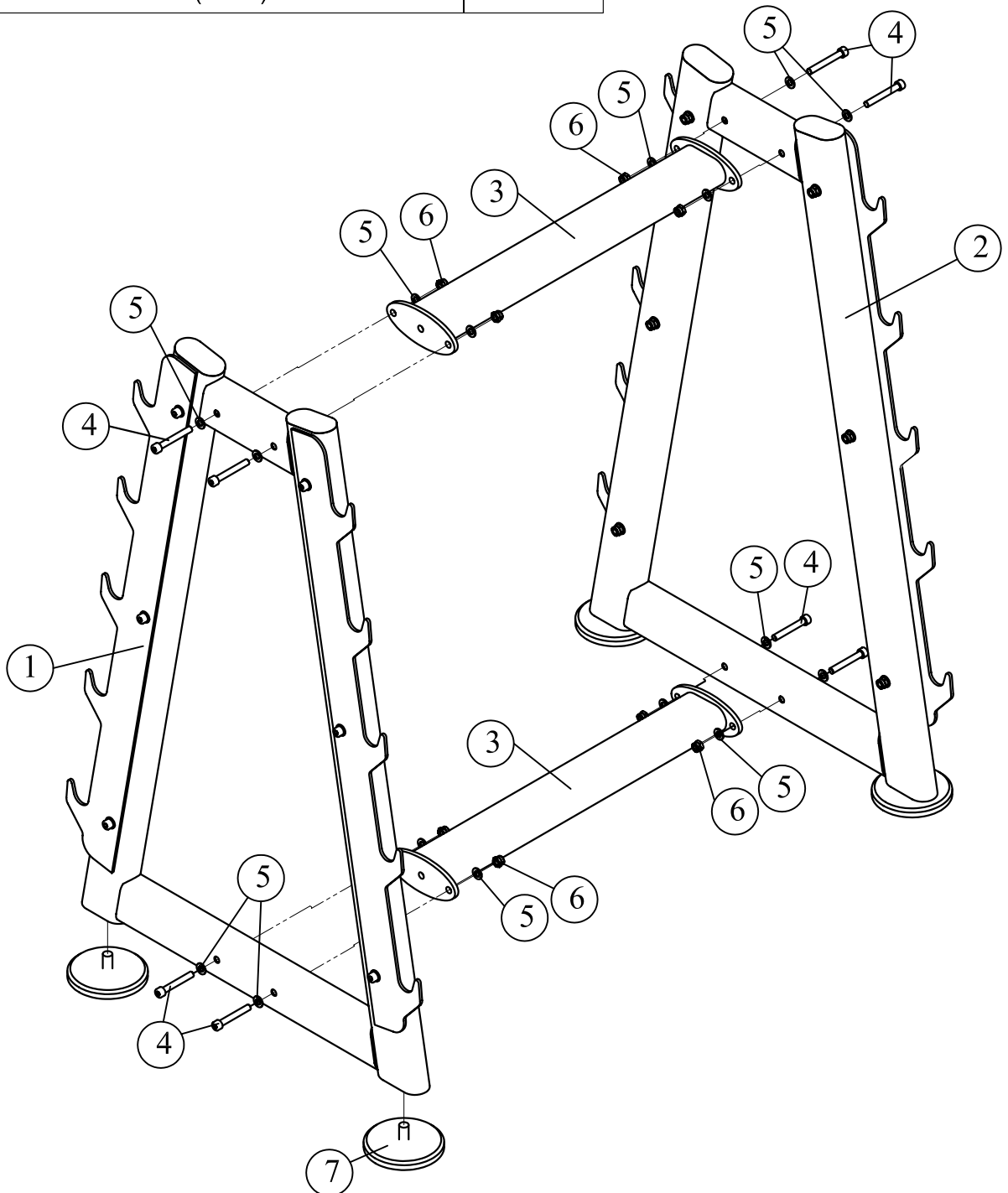


STEP 1

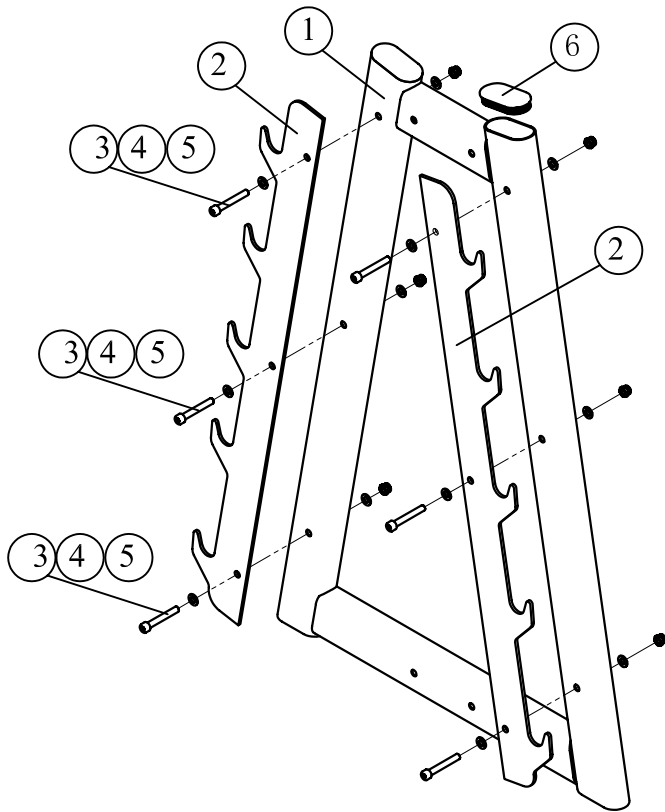
PART DESCRIPTIONS

ITEM	DESCRIPTION	QTY
1	ASSY,LEFT SIDE FRAME	1
2	ASSY,RIGHT SIDE FRAME	1
3	CROSS BRACE	2
4	BOLT,SOCKET,M10×70	8
5	WASHER,FLAT,M10	16
6	LOCK NUT, M10	8
7	ROUND FOOTPAD(Ø135)	4

NOTE: During each assembly step, ensure that all bolts and nuts are in place and partially threaded in before completely any one bolt.



ASSY,LEFT SIDE FRAME



ITEM	DESCRIPTION	QTY
1	LEFT SIDE FRAME	1
2	齿形板	2
3	BOLT, SOCKET, M10×70	6
4	WASHER, FLAT, M10	12
5	LOCK NUT, M10	6
6	平椭圆塞盖 (50*100, 平头, 黑色)	2

ASSY,RIGHT SIDE FRAME

ITEM	DESCRIPTION	QTY
1	RIGHT SIDE FRAME	1
2	齿形板	2
3	BOLT, SOCKET, M10×70	6
4	WASHER, FLAT, M10	12
5	LOCK NUT, M10	6
6	平椭圆塞盖 (50*100, 平头, 黑色)	2

