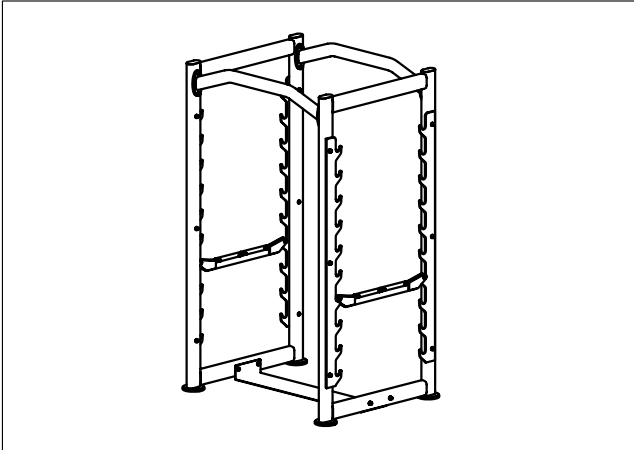


**NOTE:** During each assembly step, ensure that all bolts and nuts are in place and partially threaded in before completely any one bolt.

Above shows step 1 assembled and completed



ITEM	DESCRIPTION	QTY
1	BOLT, SOCKET, M10x70	24
2	WASHER, FLAT, M10	56
3	LOCK NUT, M10	24
4	BOLT, SOCKET, M10x25	8
5	WASHER, LOCK, M10	8

