

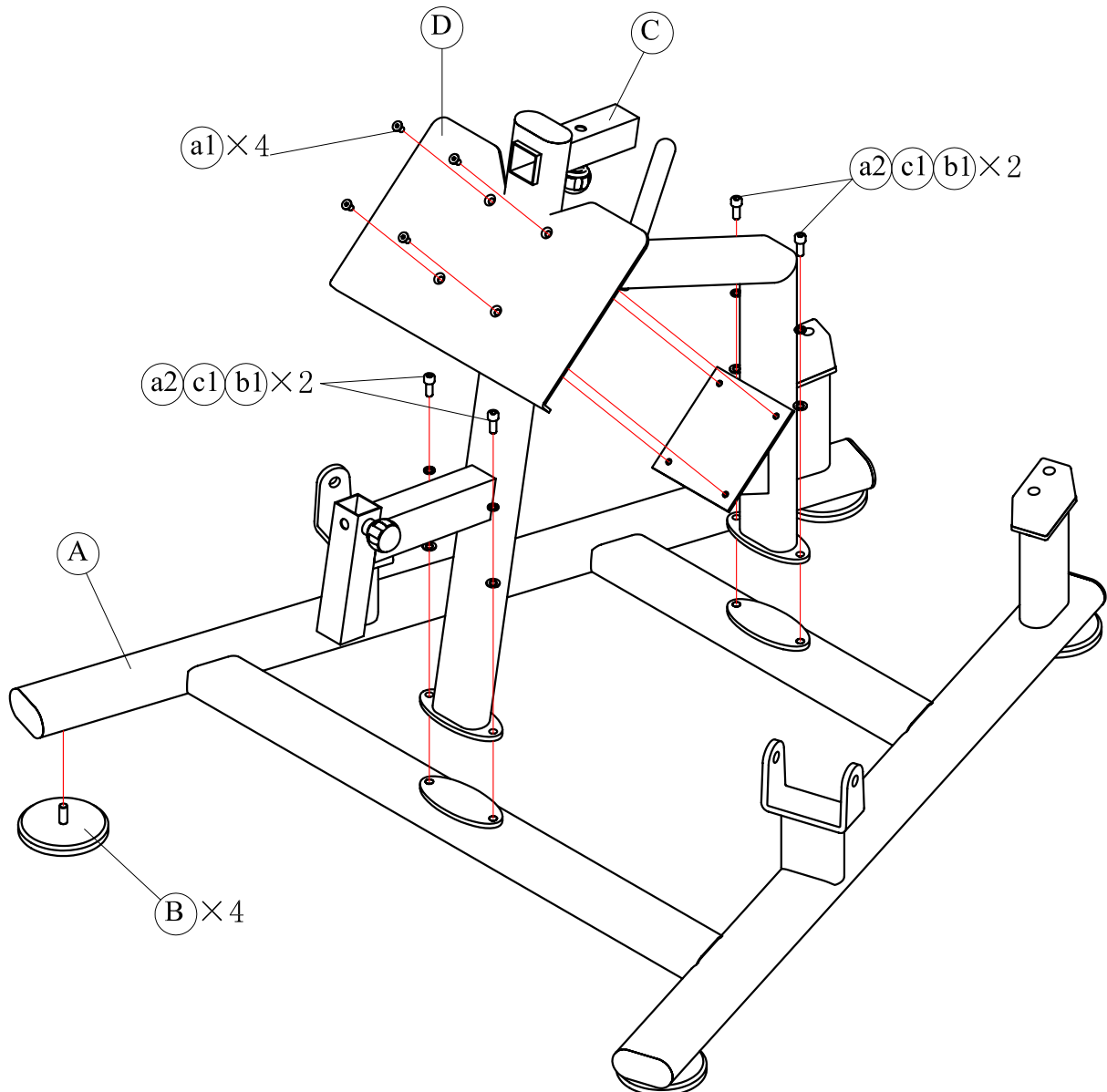
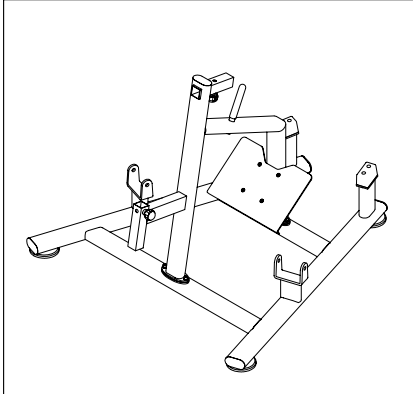
STEP 1

NOTE: During each assembly step, ensure that all bolts and nuts are in place and partially threaded in before completely tightening any one bolt.

Above shows step 1 assembled and completed

Part list of step 1

ITEM	DESCRIPTION	QTY
A	ASSY,BOTTOM FRAME	1
B	ROUND FOOTPAD(Ø135)	4
C	ASSY,MAIN FRAME	1
D	FOOT PLATE	1
a1	BOLT,FHCS,M8× 16	4
a2	BOLT,SHCS,M10× 25	4
b1	WASHER,FLAT,M10	4
c1	WASHER,LOCK,M10	4



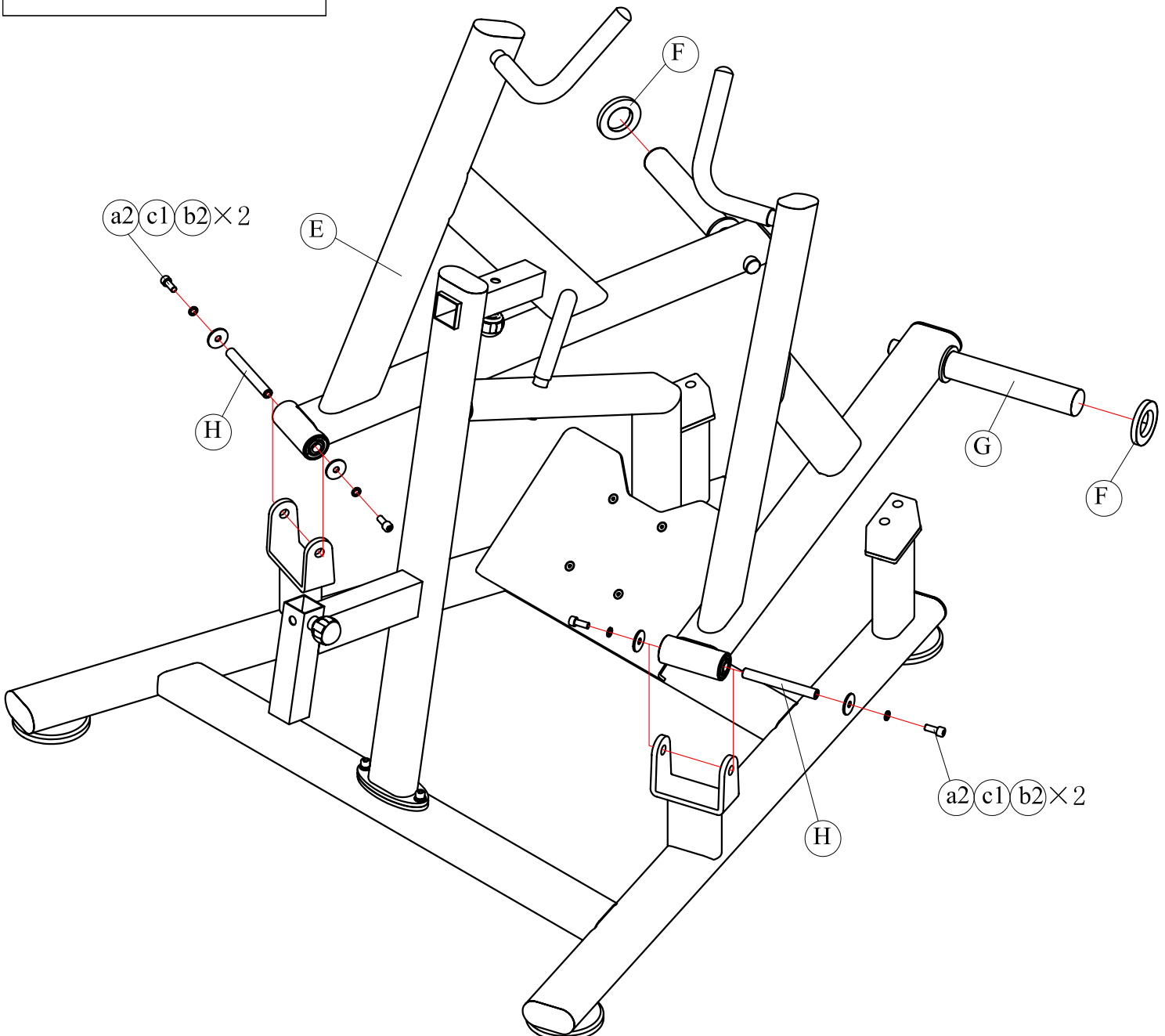
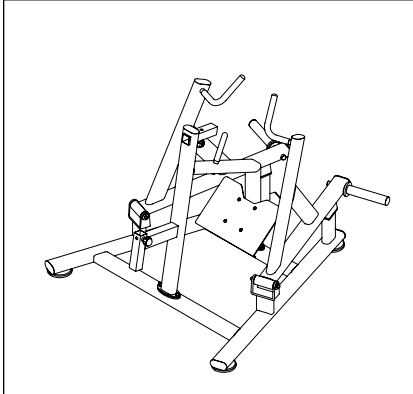
STEP 2

NOTE: During each assembly step, ensure that all bolts and nuts are in place and partially threaded in before completely tightening any one bolt.

Above shows step 2 assembled and completed

Part list of step 1

ITEM	DESCRIPTION	QTY
E	ASSY,LEFT ARM	1
F	RUBBER WASHER(Ø80 × Ø49mm)	2
G	ASSY,RIGHT ARM	1
H	AXES (Ø17、L=143)	2
a2	BOLT,SHCS,M10×25	4
b2	CHROME WASHER	4
c1	WASHER,LOCK,M10	4



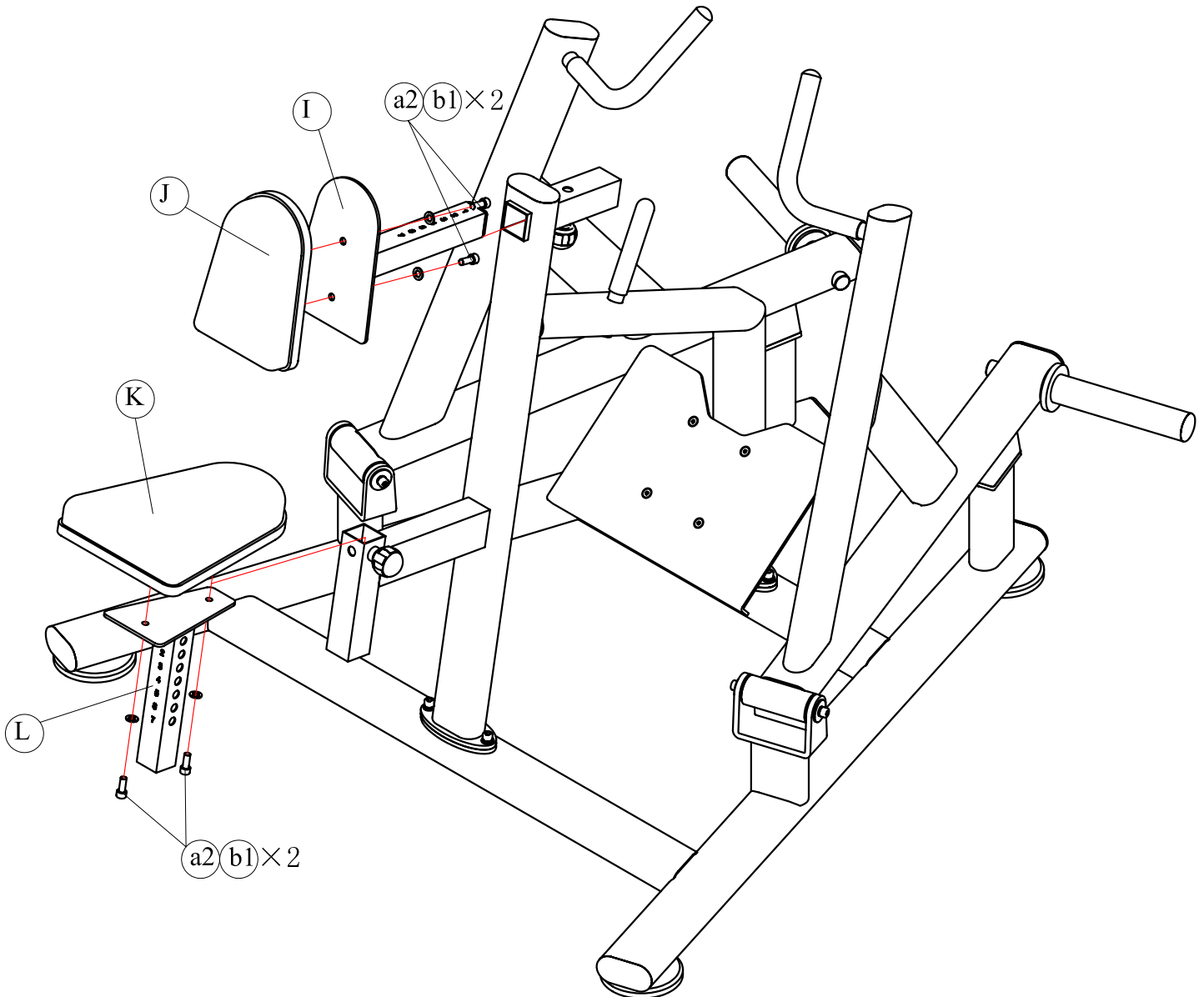
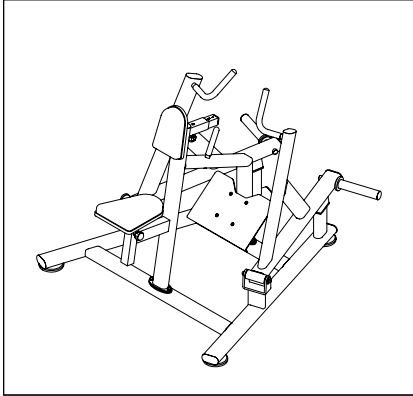
STEP 3

NOTE: During each assembly step, ensure that all bolts and nuts are in place and partially threaded in before completely tightening any one bolt.

Above shows step 3 assembled and completed

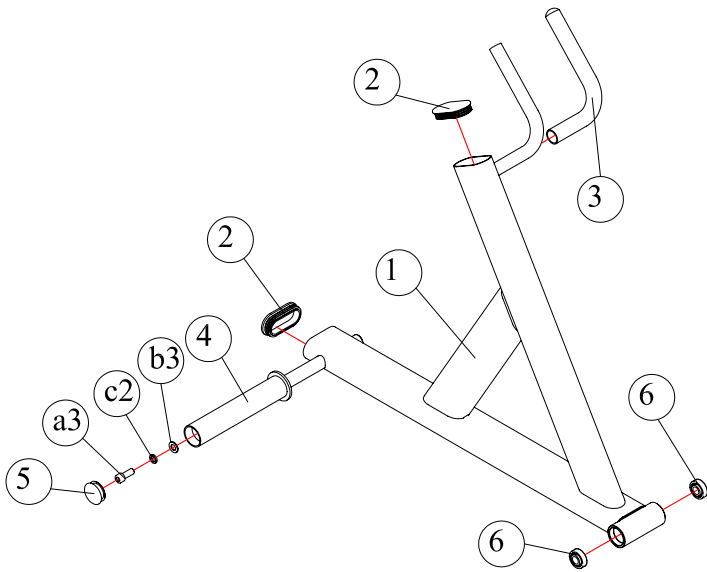
Part list of step 1

ITEM	DESCRIPTION	QTY
I	ASSY,ADJUSTABLE CHEST PAD TUBE	1
J	CHEST PAD	1
K	SEAT PAD	1
L	ADJUSTABLE SEAT PAD TUBE	1
a2	BOLT,SHCS,M10× 25	4
b1	WASHER,FLAT,M10	4

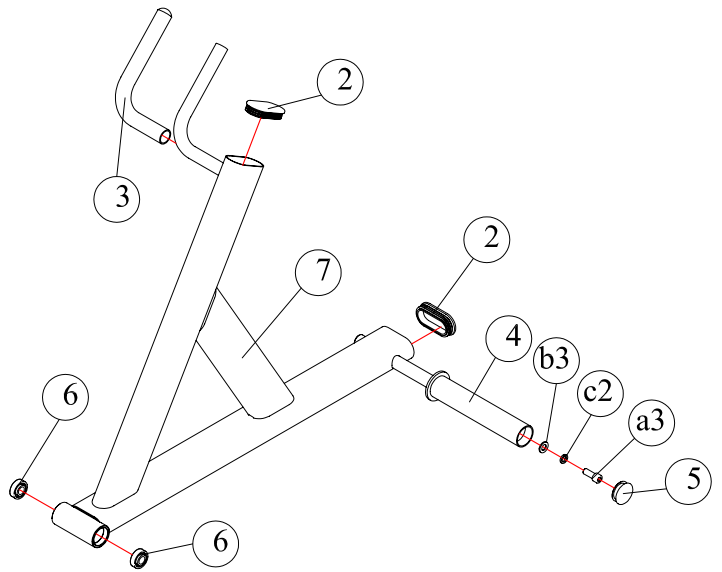


PRE-ASSEMBLY

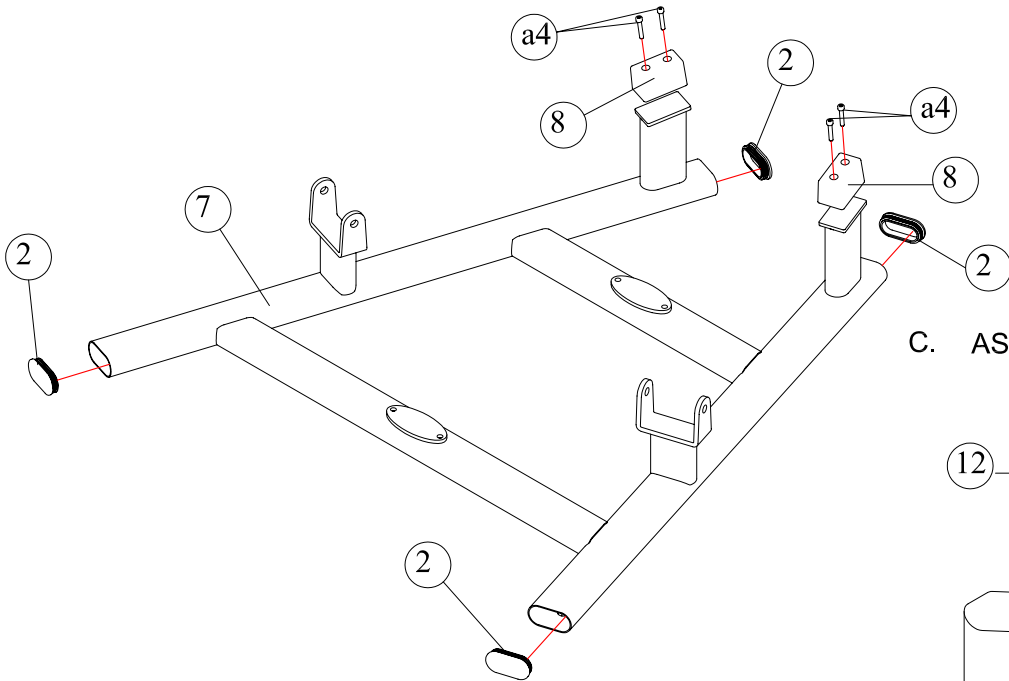
E. ASSY,LEFT ARM (×1)



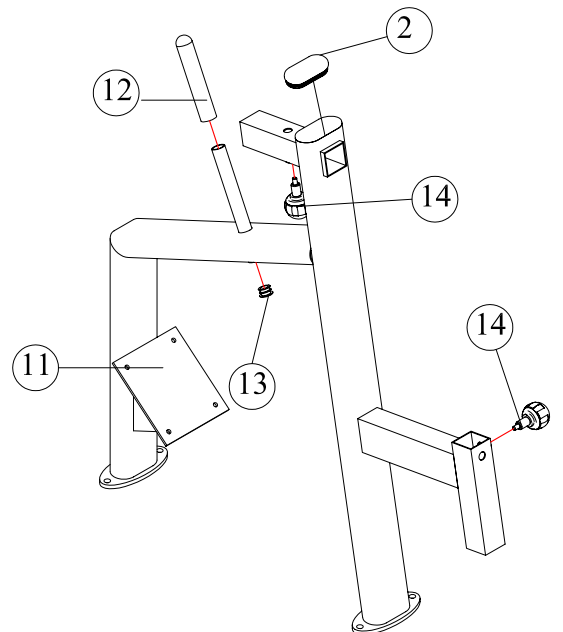
G. ASSY,RIGHT ARM (×1)



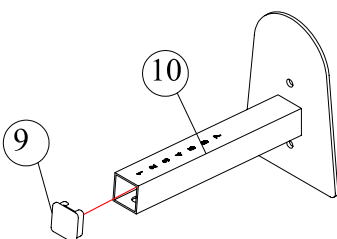
A. ASSY,BOTTOM FRAME (×1)



C. ASSY,MAIN FRAME (×1)



I. ASSY,ADJUSTABLE CHEST PAD TUBE (×1)



PART LIST

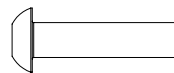
PART LIST

ITEM	DESCRIPTION	QTY
1	LEFT ARM	1
2	PLASTIC INSERT CAP(100x50,OVAL)	9
3	HAND GRIP(Ø26X380L)	2
4	WEIGHT TUBE(Ø48)	2
5	PLASTIC INSERT CAP(Ø48)	2
6	BEARING(6203,CONVEX INNER RING)	4
7	RIGHT ARM	1
8	BUMPER(100×60×50)	2
9	PLASTIC INSERT CAP(45X45)	1
10	ADJUSTABLE CHEST PAD TUBE	1
11	MAIN FRAME	1
12	HAND GRIP(Ø26X165L)	1
13	PLASTIC INSERT CAP(Ø25)	1
14	PUSH PULL PIN (M16)	2
B	ROUND FOOTPAD(Ø135)	4
D	FOOT PLATE	1
E	RUBBER WASHER(Ø80 × Ø49mm)	2
H	AXES (Ø17、L=143)	2
J	CHEST PAD	1
K	SEAT PAD	1
L	ADJUSTABLE SEAT PAD TUBE	1

HARDWARE LIST

ITEM	DESCRIPTION	QTY
a1	BOLT,FHCS,M8× 16	4
a2	BOLT,SHCS,M10× 25	12
a3	BOLT,SHCS,M12× 30	2
a4	BOLT,SHCS,M8× 45	4
b1	WASHER,FLAT,M10	8
b2	CHROME WASHER 1/2 IDX 1 5/8 OD	4
b3	WASHER,FLAT,M12	2
c1	WASHER,LOCK,M10	8
c2	WASHER,LOCK,M12	2

Hardware guide:



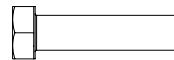
BHCS-BUTTON HEAD CAP SCREW



SHCS-SOCKET HEAD CAP SCREW

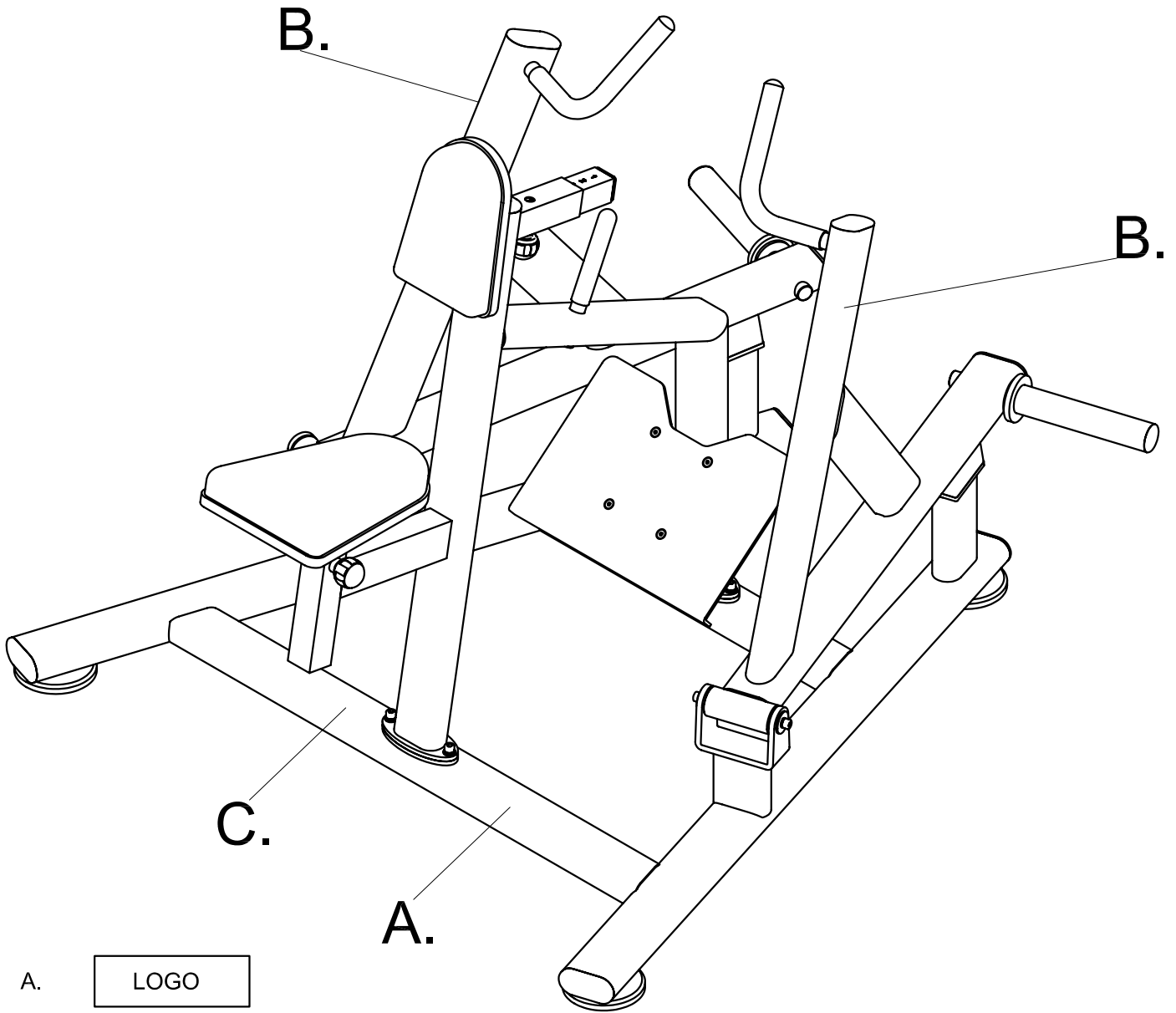


FHCS-FLAT HEAD CAP SCREW



HHCS-HEX HEAD CAP SCREW

DECAL PLACEMENT



A.

LOGO

B.

▲ CAUTION
Keep away from moving parts. Failure to do so could result in personal injury.

C.

EQUIPMENT NO:
100001