

# ASSEMBLY STEP 1

## HARDWARE USED IN THIS STEP



**Bolts(A)** QTY: 2  
HBOLT M10×135

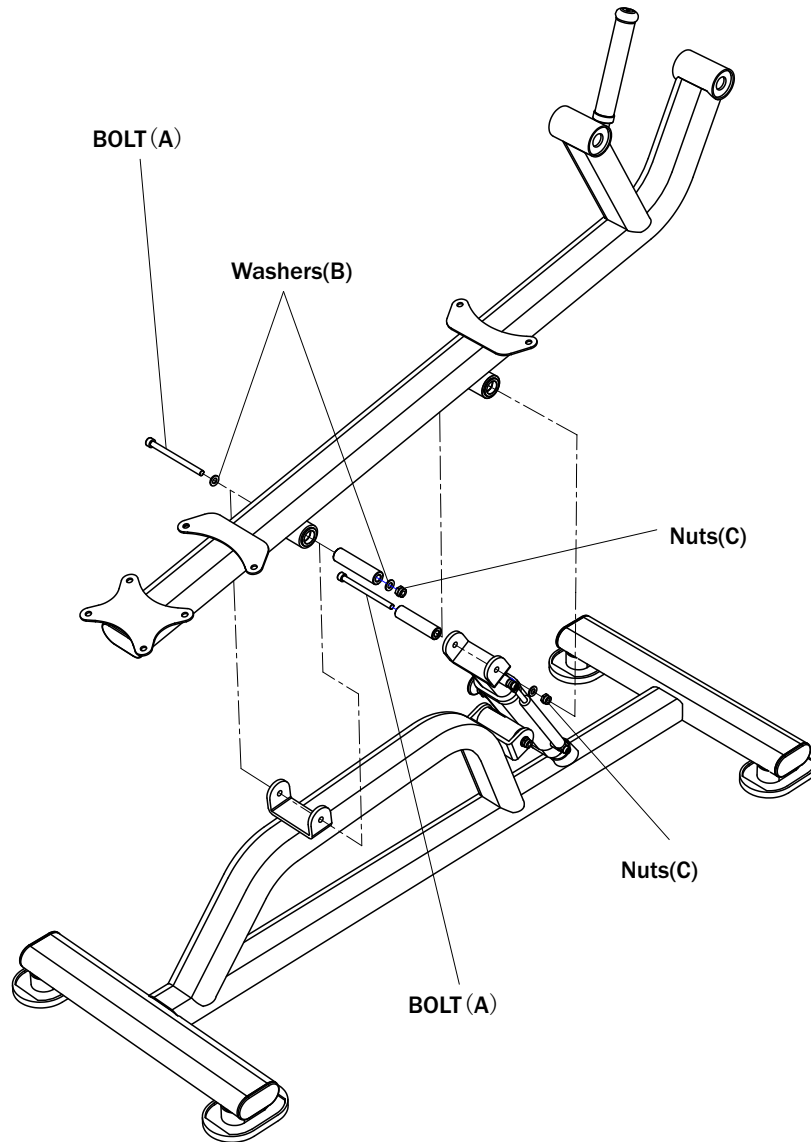


**Washers(B)** QTY: 4  
FW M10



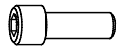
**Nuts(C)** QTY: 2  
HJNUT M10

**NOTE:** During each assembly step, ensure that all bolts and nuts are in place and partially threaded in before completely any one bolt.

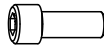


# ASSEMBLY STEP 2

## HARDWARE USED IN THIS STEP



**Bolts(A) QTY: 4**  
**HBOLT M10×35**



**Bolts(B) QTY: 8**  
**HBOLT M10×25**



**Washers(C) QTY: 8**  
**FW M10**

**NOTE:** During each assembly step, ensure that all bolts and nuts are in place and partially threaded in before completely any one bolt.

