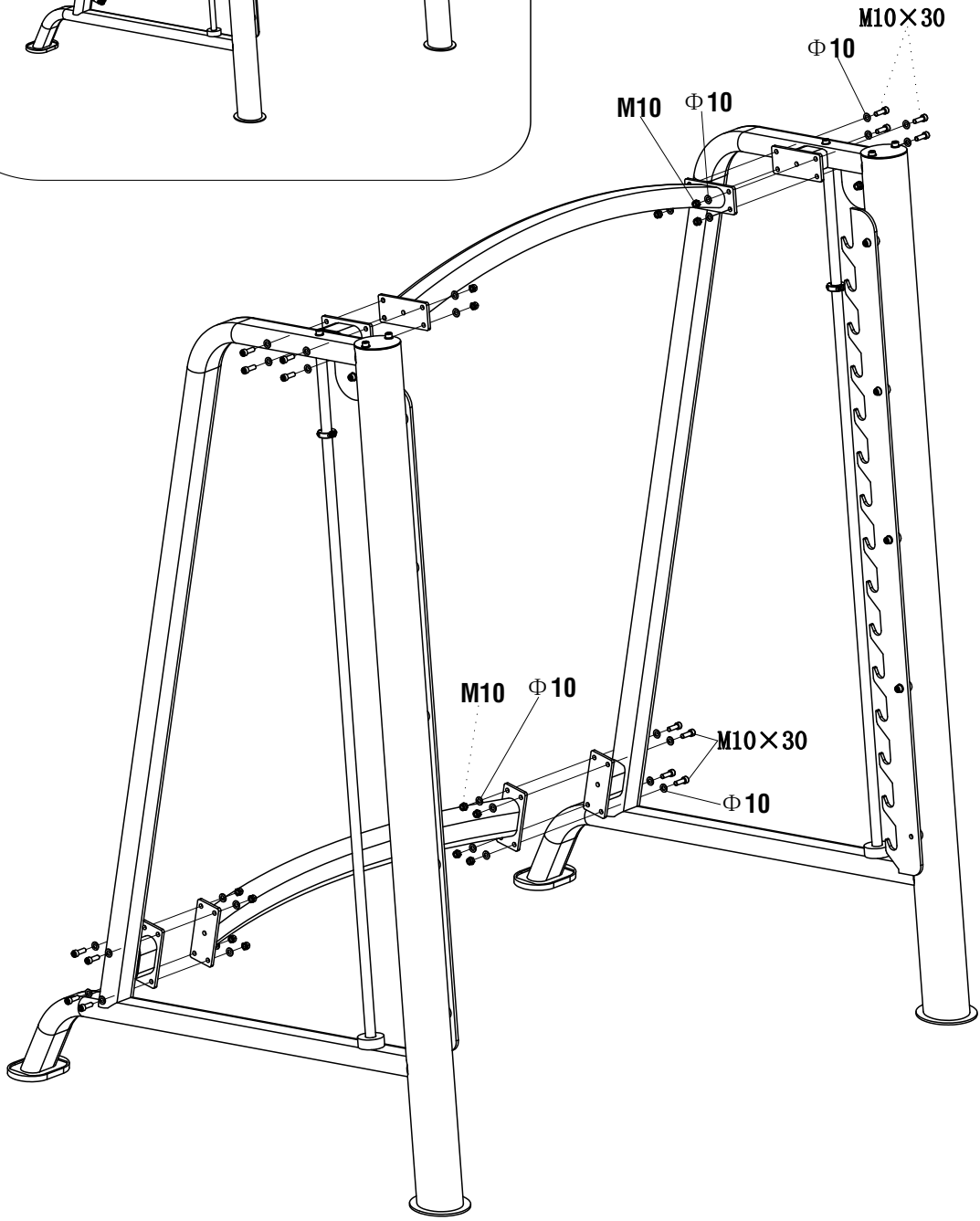
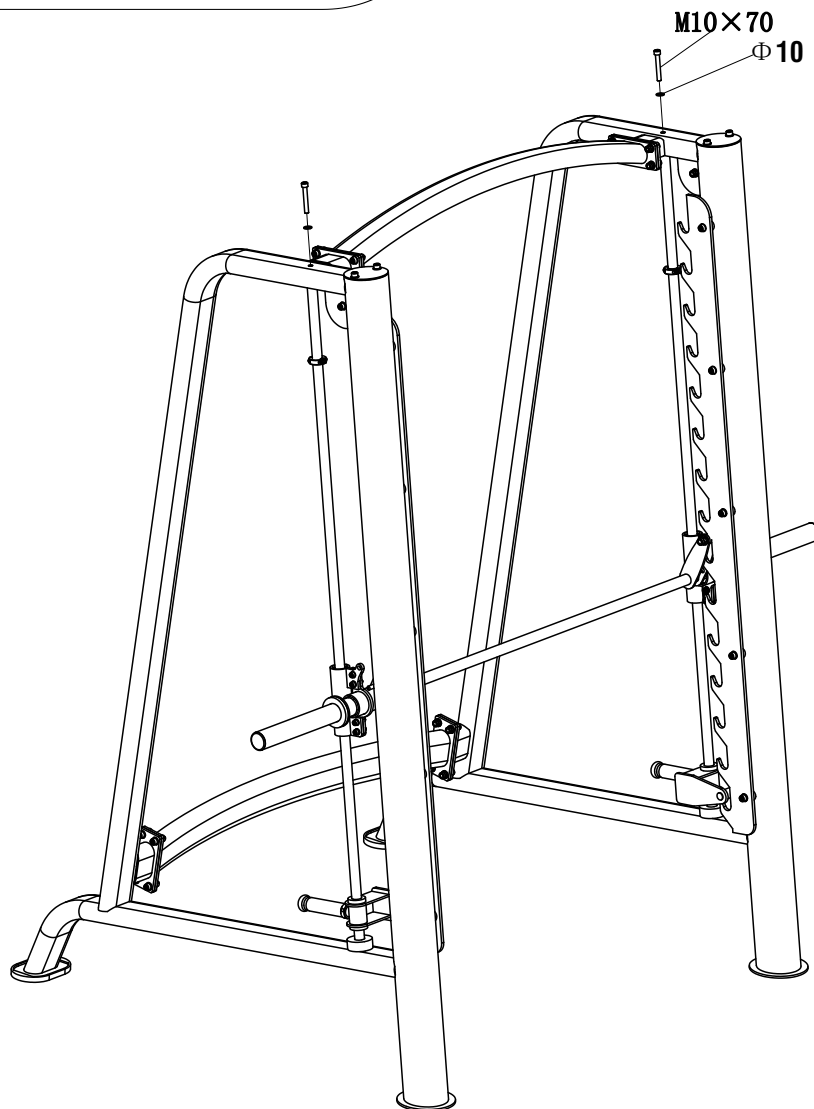
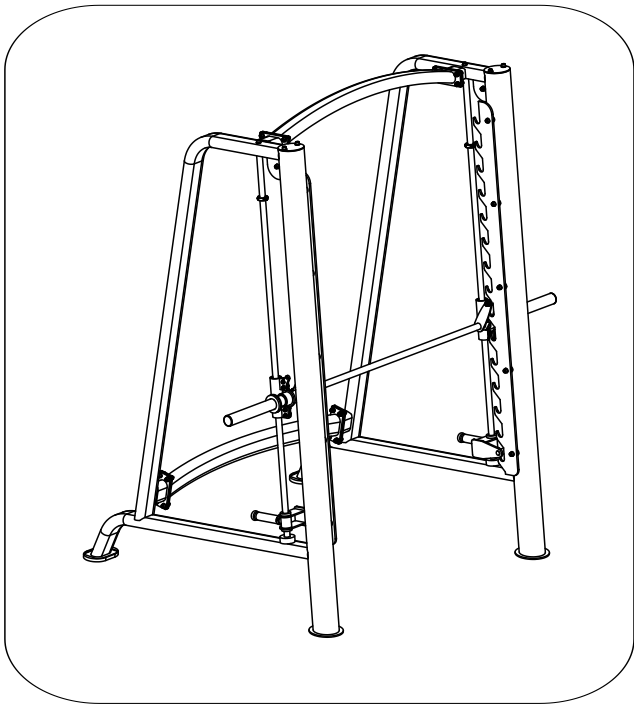


ASSEMBLY STEP 1



ASSEMBLY STEP 2



ASSEMBLY STEP 3

