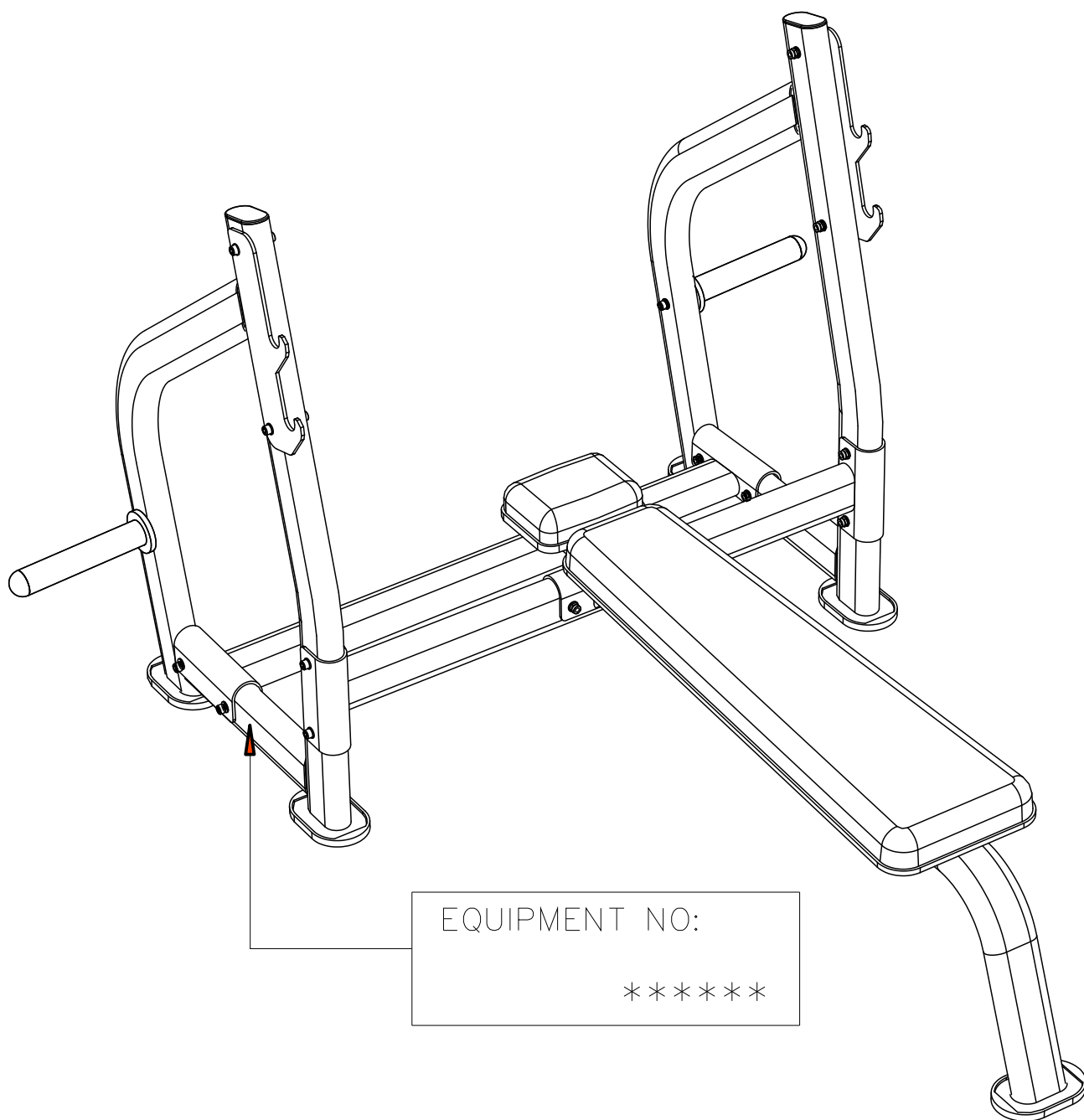


Th9942

OWNER'S MANUAL

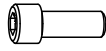


ASSEMBLY STEP 1

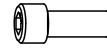
HARDWARE USED IN THIS STEP



Bolts(A) QTY: 14
HBOLT M10×75



Bolts(B) QTY: 8
HBOLT M10×25



Bolts(C) QTY: 2
HBOLT M10×20



Washers(D) QTY: 38
FW M10



Nuts(E) QTY: 14
HJNUT M10



Washers(F) QTY: 2
FW M10

NOTE: During each assembly step, ensure that all bolts and nuts are in place and partially threaded in before completely any one bolt.

